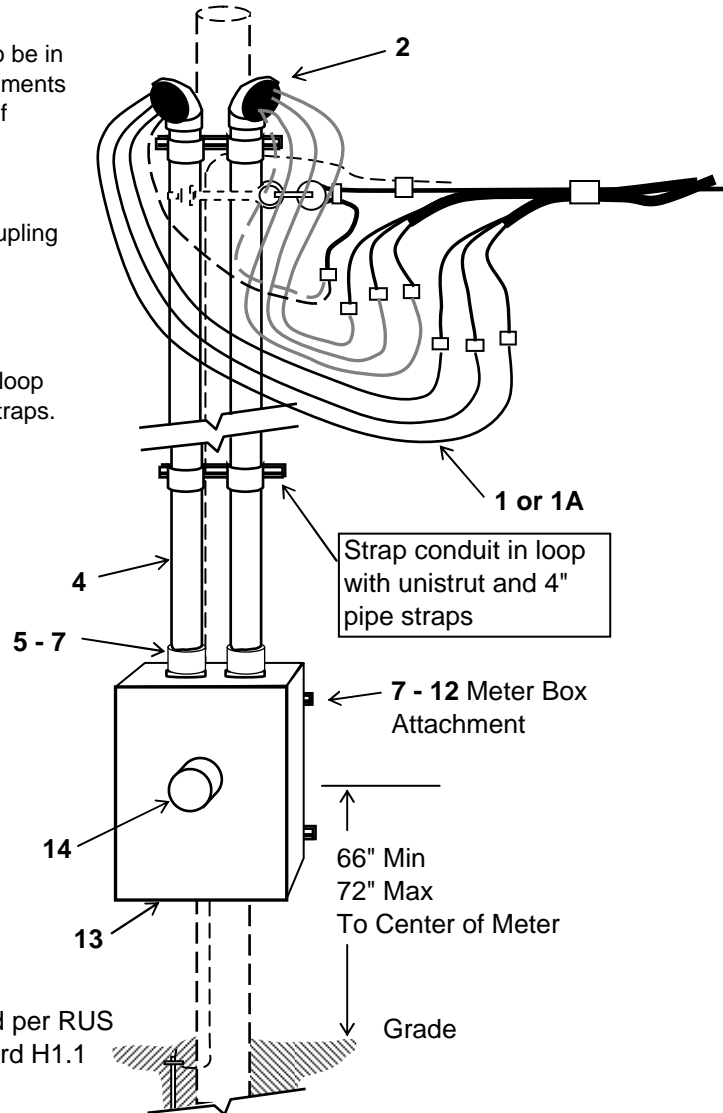


1. All clearances and protective devices to be in conformance to the most stringent requirements of either the NESC, NEC or other codes of governmental or regulating authorities as applicable.
2. If length of conduit exceeds 10 feet, coupling is permitted on end adjacent to meter.
3. Guy pole as required.
4. For every 5' additional length on meter loop add 40' of wire to installation and 2 pipe straps.



**MATERIALS LISTING**

ITEM	DESCRIPTION	QTY 10' DL		UNIT	PREC #
		400A	600A		
1	350 THHN Cu (350A Rating) PH & N - 2 runs/PH	-	200	Ft.	3145
1A	500 THHN Cu (260A Rating) PH & N - 1 run/PH	200	-	Ft.	3140
2	4" Weatherhead	2	2	Ea.	8220-4
3	4" Pipe Straps	4	4	Ea.	9155
4	4" Sch 80 PVC	20	20	Ft.	8245-4
5	4" PVC Male Adapter	2	2	Ea.	9801-4
6	Meter Hub	2	2	Ea.	8117-4
7	5/8" x 16" Machine Bolts	4	4	Ea.	1083
8	Square Washer 2x2	4	4	Ea.	9091
9	5/8" Locknut	4	4	Ea.	9096
10	1/2" Spring Nuts	4	4	Ea.	9295
11	1" x 1/2" SS Bolt	4	4	Ea.	9857
12	1" x 1 5/8" Unistrut	13 1/2	13 1/2	Ft.	9296
13	13-T 600A Instrument Rated Meter Box	1	1	Ea.	
14	Form 9S/8S Class 20 120 or 120-480V 4-Wire 3Ø Meter	1	1	Ea.	NA

Design Parameters:  
 > See design notes 1 through 4 above.  
 > \*Loop length per staking sheet.

**120/208V [400A for 50kVA Transformers][600A for 75kVA Transformers]  
 (150kVA/225kVA Bank) Dual 4-Wire Down Loop, Instrument Rated Service**

6/26/2008		<b>Q3.3-04IR*</b>
Rev. 0		<b>Q3.3-06IR*</b>