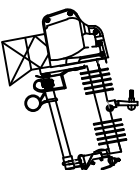
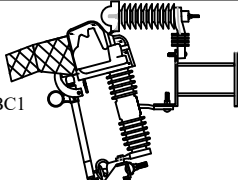

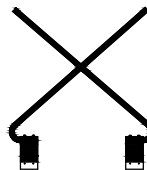
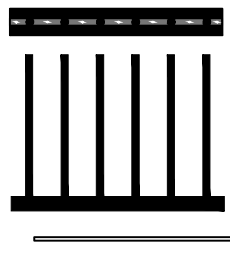



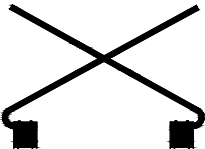

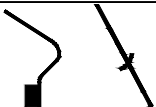

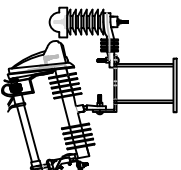
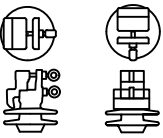

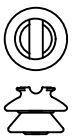

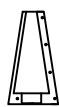

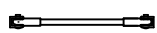
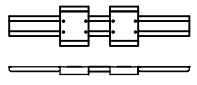
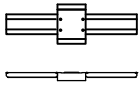
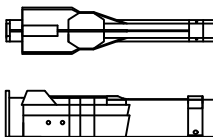


# SPECIFICATION

Figure 1

AP- SC 5/8 AP- SC 3/4 <hr/> AP- JW #2NC AP- JW 20NC AP- JW 40NC <hr/> AP- JW #2SC AP- JW #2LC AP- JW 20SC AP- JW 20LC <hr/> AP- GIW #6	 <p style="text-align: center;">AP-LBCC</p> <hr/>  <p style="text-align: center;">AP-LBC1</p> <hr/>  <p style="text-align: center;">AP-RP18</p> <hr/>  <p style="text-align: center;">AP-RP24</p> <hr/>  <p style="text-align: center;">AP-RPZ</p> <p style="text-align: center;">1"x1/2" buckle</p> <hr/> AP-RPCT-7 AP-RPCT-8 AP-RPCT-9	AP-RPEX  <hr/> AP-RPLC  <hr/> AP-RP12  <hr/> AP-RP36  <hr/> AP-RPE  <hr/> AP-RPTP  <hr/> AP-RPCC  <hr/> AP-CC 
 <p style="text-align: center;">AP- ICT</p> <hr/>  <p style="text-align: center;">AP- SBC</p>	 <p style="text-align: center;">AP- IPT</p> <hr/>  <p style="text-align: center;">AP- LBC</p> <hr/>  <p style="text-align: center;">AP- TC</p>	AP-RPAC  <hr/> AP- RPFL  <hr/> <div style="display: flex; justify-content: space-between;"> <div style="width: 45%;">  <p style="text-align: center;">AP-RPDT</p> <hr/>  <p style="text-align: center;">AP-RPST</p> </div> <div style="width: 45%;">  <p style="text-align: center;">AP-RPDC</p> </div> </div>

ASSEMBLY #	MATERIAL	PART #	ASSEMBLY #	MATERIAL	PART #
AP-SC 5/8"	Conductor Cover Up (5/8" X 8' Length)	4711	AP-CC	Cutout Combo W\ Covers	4170/4720/4725
AP-SC 3/4"	Conductor Cover Up (3/4" X 8' Length)	4715	AP-TC	Terminator Cover Up	4710
AP-JW #2NC	#2 Jumper Wire, No Hotline Clamp	3114	AP-LBCC	Load Break Cutout W\ Covers	4130/4730
AP-JW 20NC	2/0 Jumper Wire, No Hotline Clamp	3115	AP-LBC1	Load Break Cutout W\ Covers	4171/4730/4720
AP-JW 40NC	4/0 Jumper Wire, No Hotline Clamp	3116	AP-RPFL	Fiberglass Extension Link	4281
AP-JW #2SC	#2 Jumper Wire, W/ Hotline Clamp, #4-4/0	3114/2140/2147	AP-RPEX	18.75" Epoxillator	4280
AP-JW #2LC	#2 Jumper Wire, W/ Hotline Clamp, 336	3114/2140/2148	AP-RP12	Perch Deterrent, 12"	4760
AP-JW 2SC	2/0 Jumper Wire, W/ Hotline Clamp, #4-4/0	3115/2140/2147	AP-RP18	Perch Deterrent, 18"	4762
AP-JW #2LC	2/0 Jumper Wire, W/ Hotline Clamp, 336	3115/2140/2148	AP-RP24	Perch Deterrent, 24"	4764
AP-GIW #6	Green Insulated Wire, #6AWG	3011	AP-RP36	Perch Deterrent, 36"	4766
AP-IPT	Insulator, Pin Type 14kV	4310	AP-RPE	Perch Guard Extender	4769
AP-ICT	Insulator, Clamp Top 25kV	4311	AP-RPZ	7 Zena Spikes And 30" Base	4780
AP-RPTP	Pole Top Perch Deterrent	4772	AP-RPCT-7	Pole Top Cone - 7-1/4"	4740
AP-SBC	Small Bushing Cover	4705	AP-RPCT-8	Pole Top Cone - 8-3/8"	4743
AP-LBC	Large Bushing Cover	4708	AP-RPCT-9	Pole Top Cone - 9-1/2"	4747
AP-RPAC	Arrestor Cover	4720	AP-RPST	Single Insulator Cap And Conductor Cover	4816
AP-RPCC	Cutout Combo Coverup	4725	AP-RPDT	Double Insulator Cap And Conductor Cover	4818
AP-RPLC	Load Break Cutout Cover	4730	AP-RPDC	Deadend Shoe And Conductor Cover	4810