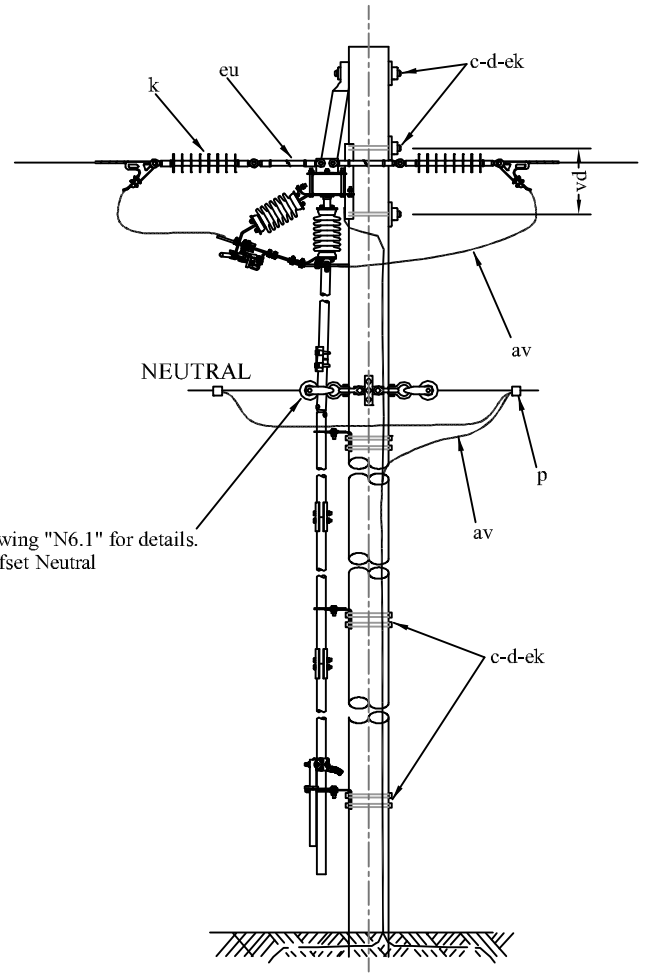
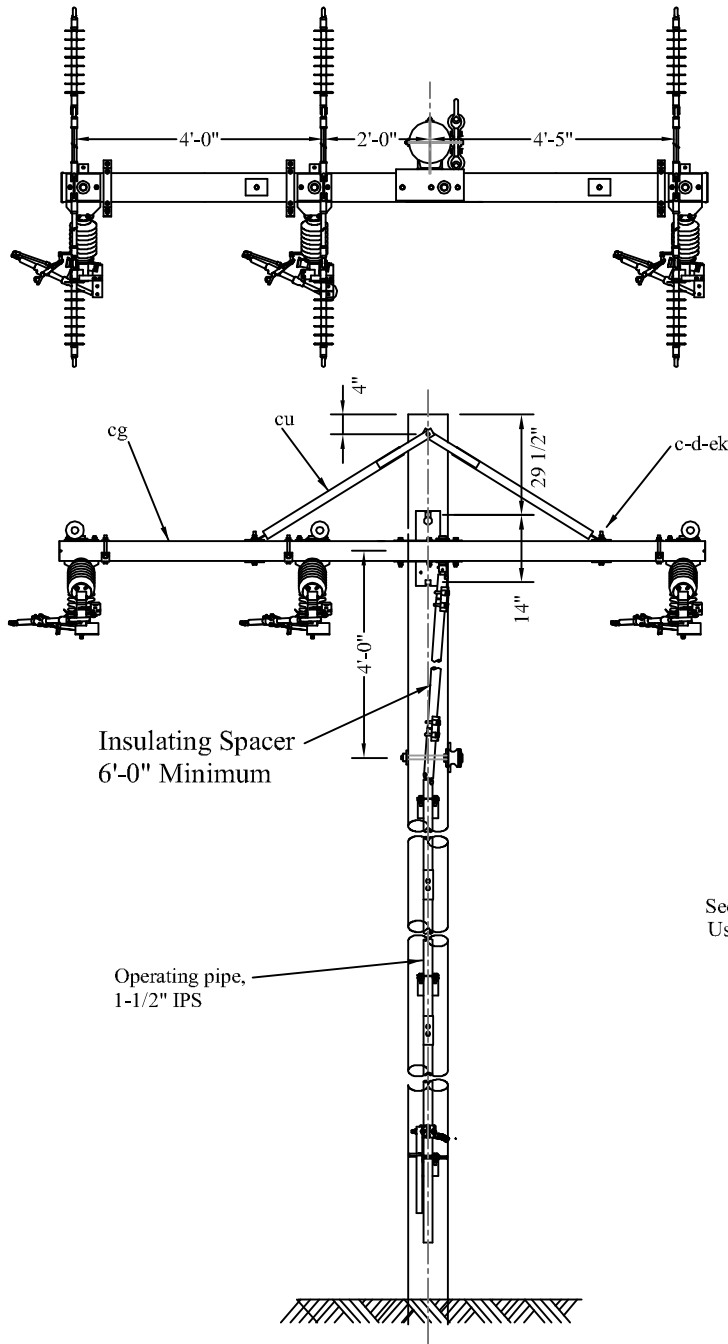


PLAN VIEW OF SWITCH ARRANGEMENT



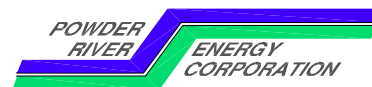
NOTE: See Dwg. "H3.1" (Preferred) or "H4.1" for required grounding assembly.

ITEM	NO.	MATERIAL	ITEM	NO.	MATERIAL
c	2	Bolt, machine, 1/2" x req'd length	av	1	Jumpers, as req'd-insulated
c	7	Bolt, machine, 5/8" x req'd length	cg	1	Switch, airbreak, group operated, 25 kV w/ operating mechanism
d	2	Washer, round, 1 3/8"	cu	2	Brace, wood, 60" span
d	7	Washer, square, 2 1/4"	ek	11	Locknuts
k	6	Insulator, epoxilator	eu	6	Link, extension, fiberglass, 18" minimum
p		Connectors, as req'd	d	2	3x3x13/16" square washer

NOTES:

GROUP-OPERATED AIRBREAK SWITCH
THREE PHASE

RUS
03/26/2010
Rev. A



VS2.32R