

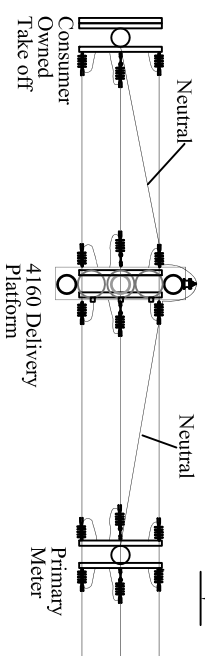
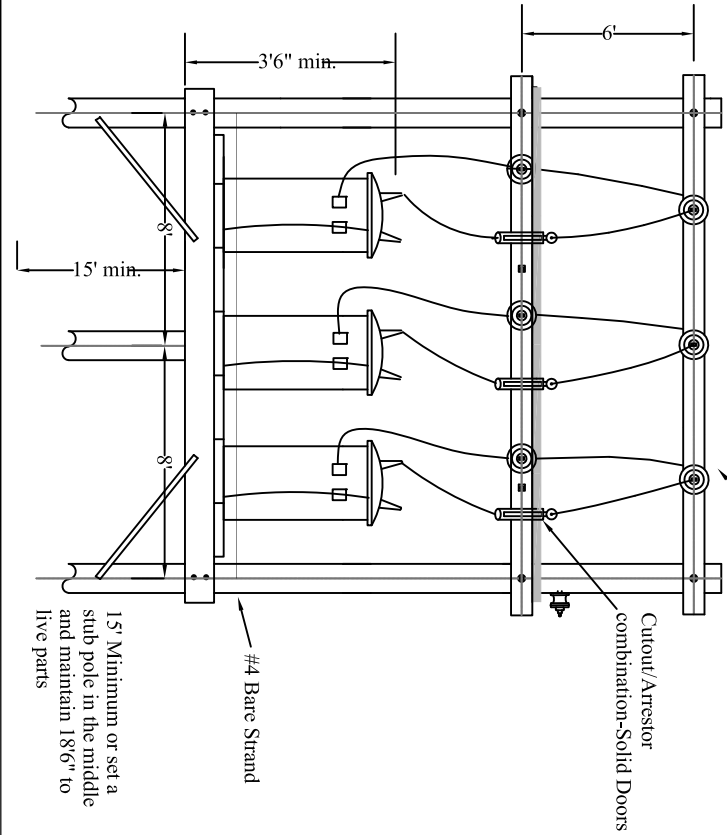
ITEM	* MATERIAL	QTY
xx	Cutout/Arrestor 14.4	3
xx	Transformer Platform	1
xx	Timbers 18'	4
xx	D. A. Bolts	9
xx	Epoxiators	6
xx	Deadend Shoes	6
xx	Upset Bolt	1
xx	Insulator Spool	1
xx	#2 Jumper wire	200'
xx	Washers, 2 x 2	29
xx	# Soft six	25'
xx	Eyebuts, 5/8"	6
xx	Clamp top	3

Xfmr Bank	Secondary Full Load Ampacity
300 KVA/3-100's	42 Amp/Phase
501 KVA/3-167's	70 Amp/Phase
750 KVA/3-250's	104 Amp/Phase
1000 KVA/3-333's	139 Amp/Phase
1500 KVA/3-500's	208 Amp/Phase

14.4/24.9 KV
4160 PRIMARY DELIVERY

RUS	
06/11/08	
Rev. 0	

VG3.5



6' from top of box to ground