

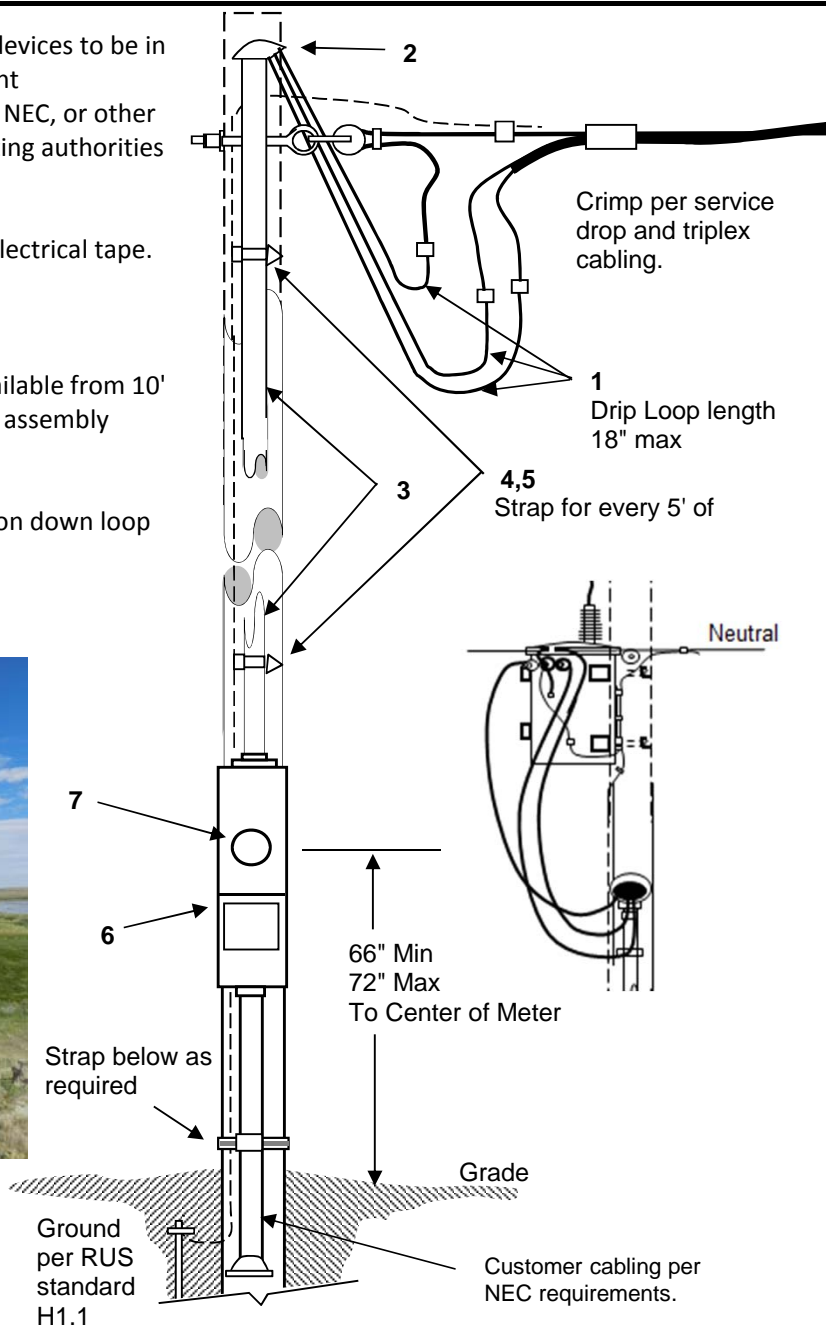
1. All clearances and protective devices to be in conformance to the most stringent requirements of either the NESC, NEC, or other codes of governmental or regulating authorities as applicable.

2. Indicate Neutral with white electrical tape.

3. Guy pole as required.

4. Meter loop assemblies are available from 10' to 35' in increments of 5'. Match assembly length to meter pole call-out.

5. For every 5' additional length on down loop add 15' of wire to installation.



MATERIALS LISTING

ITEM	DESCRIPTION	QTY 15' DL	UNIT	PREC #
1	350MCM THHN Copper (350A Rating) Phase & Neutral	75	Ft.	3145
2	2.5" Weatherhead	1	Ea.	8220-2.5
3	2.5" Conduit	15	Ft.	8040
4	2.5" Straps	3	Ea.	9160-2.5
5	5/16"x 2 1/2" Lag Bolt	8	Ea.	9109
6	4-T 400A Class 320A OH Mtr Box w/dual 200A Bkr	1	Ea.	9183
7	Form 2S Class 320A 240V 3-Wire 1Ø Meter	1	Ea.	

Design Parameters:

- > See notes 1 through 5 above.
- > * Add required loop length. (Note 4)
- > Minimum Transformer: 50kVA

**120/240V 400A (Class 320A) Self Contained Service
3-Wire Down Loop**

RUS		<p>Q1.1-03SC*</p>
05/31/13		
Rev. A		