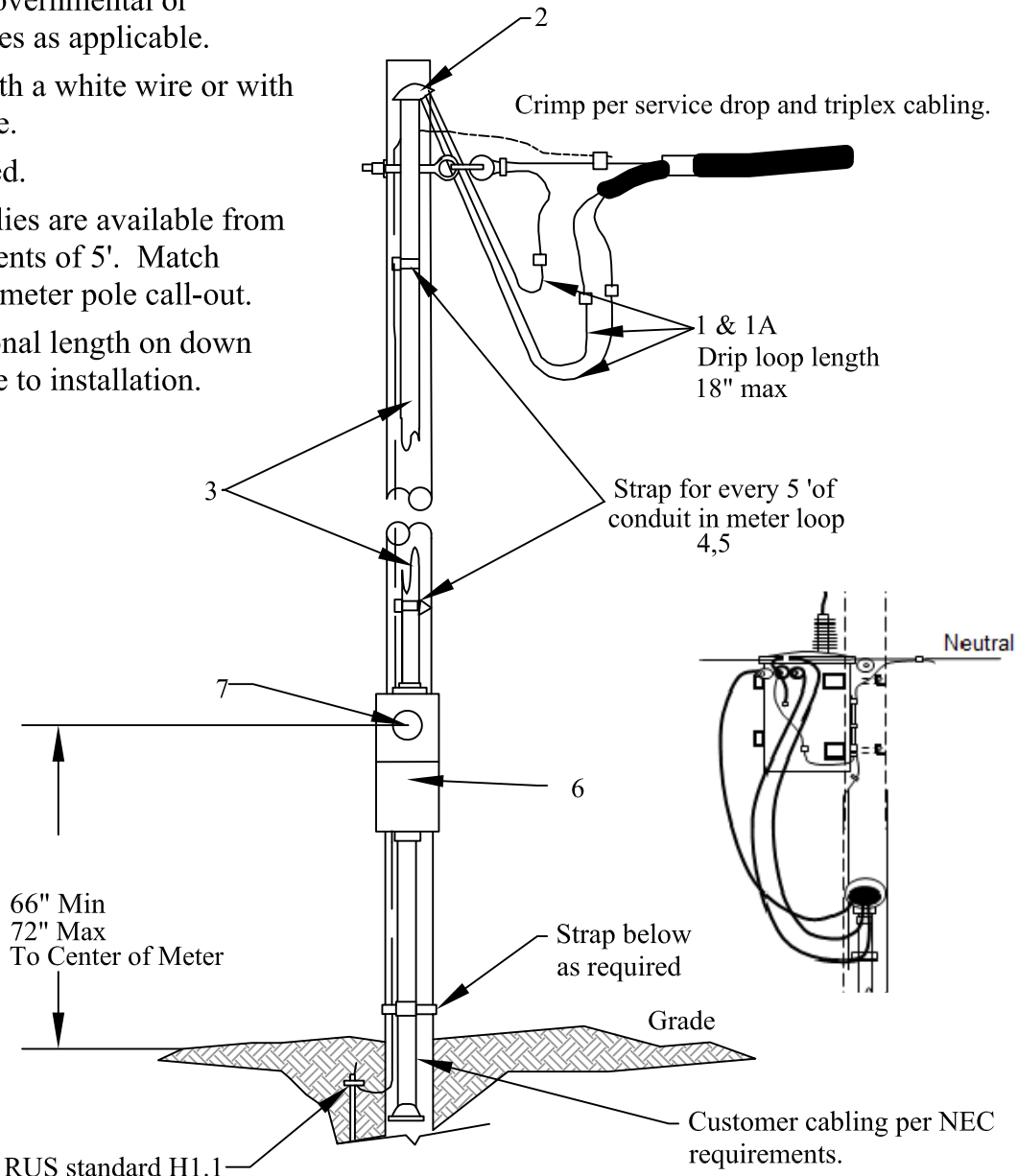


1. All clearances and protective devices to be in conformance to the most stringent requirements of either the NESC, NEC, or other codes of governmental or regulating authorities as applicable.
2. Indicate Neutral with a white wire or with white electrical tape.
3. Guy pole as required.
4. Meter loop assemblies are available from 10' to 35' in increments of 5'. Match assembly length to meter pole call-out.
5. For every 5' additional length on down loop add 15' of wire to installation.



Ground per RUS standard H1.1



MATERIAL LISTING

ITEM	DESCRIPTION	QTY 15" DL	UNIT	PREC#
1	2/0 THNN Cu. Phase	50	Ft.	3130
1A	2/0 THNN Cu. White	25	Ft.	3132
2	2" Weather Head	1	Ea.	8220-2
3	2" Conduit	15	Ft.	8030
4	2" Straps	3	Ea.	9160-2
5	Lag Bolts	8	Ea.	9109
6	4-Terminal 200A Meter Box with 200A Breaker	1	Ea.	9182
7	Form 2S Class 200 240V 3-Wire 1Ø Meter	1	Ea.	

DESIGN PARAMETERS:

- See Notes 1 through 5 above.
- \* Add require loop length (Note 4)
- Transformer Range: 25kVA-37.5kVA

120/240V 200A Self Contained Service  
3-Wire Down Loop

RUS  
05/31/13  
Rev. A



Q1.1-02SC\*