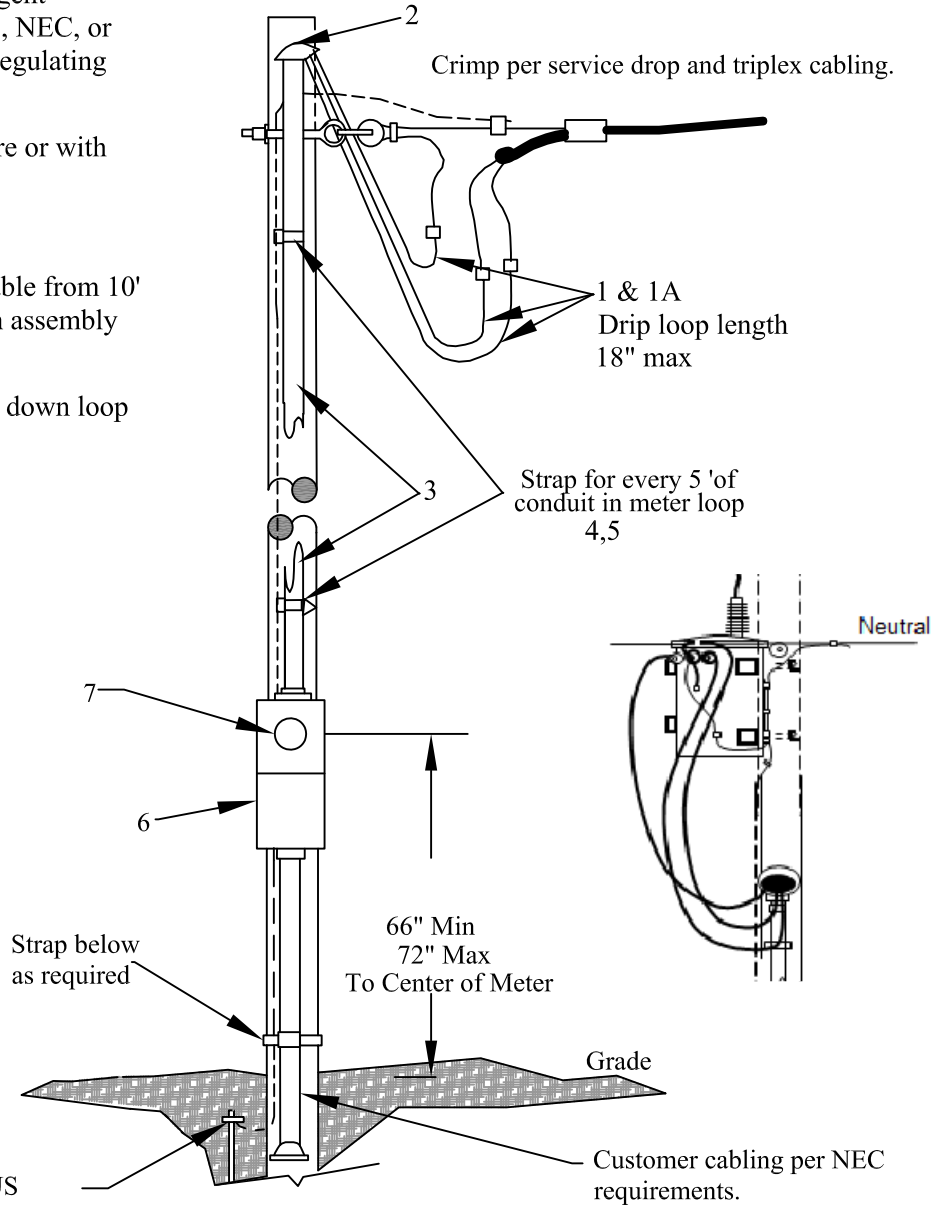


1. All clearances and protective devices to be in conformance to the most stringent requirements of either the NESC, NEC, or other codes of governmental or regulating authorities as applicable.
2. Indicate Neutral with a white wire or with white electrical tape.
3. Guy pole as required.
4. Meter loop assemblies are available from 10' to 35' in increments of 5'. Match assembly length to meter pole call-out.
5. For every 5' additional length on down loop add 15' of wire to installation.



MATERIAL LISTING

ITEM	DESCRIPTION	QTY 15' DL	UNIT	PREC#
1	#2 AWG THHN Cu	50	FT	3110
1A	#2 AWG THHN Cu - White	25	FT	3111
2	2" Weather Head	1	EA	8220-2
3	2" Conduit	15	FT	8030
4	2" Strap	3	EA	9160-2
5	5/16" x 2.5" Lag Bolt	6	EA	9109
6	4- Terminal 100A Meter Box with 100A Breaker	1	EA	9181
7	Form 2S Class 200 240V 3-Wire 1Ø Meter	1	EA	

DESIGN PARAMETERS:

- See notes 1 through 5 above
- *Add required loop length. (See Note 4)
- Maximum Transformer Size: 5kVA

120/240V 100A Self Contained Service 3-Wire Down Loop

RUS
05/31/13
REV.A



Q1.1-01SC*