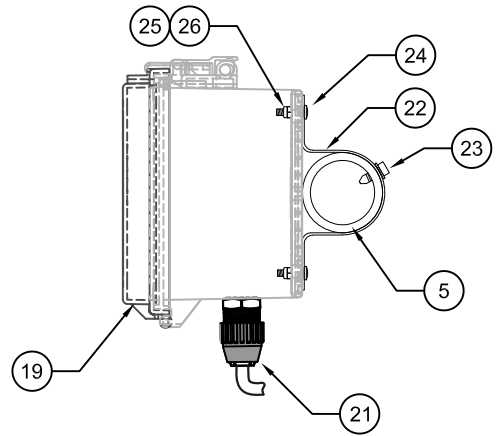
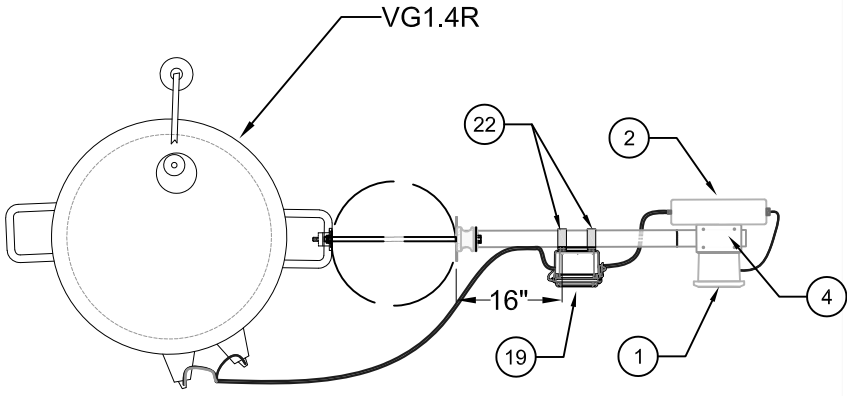
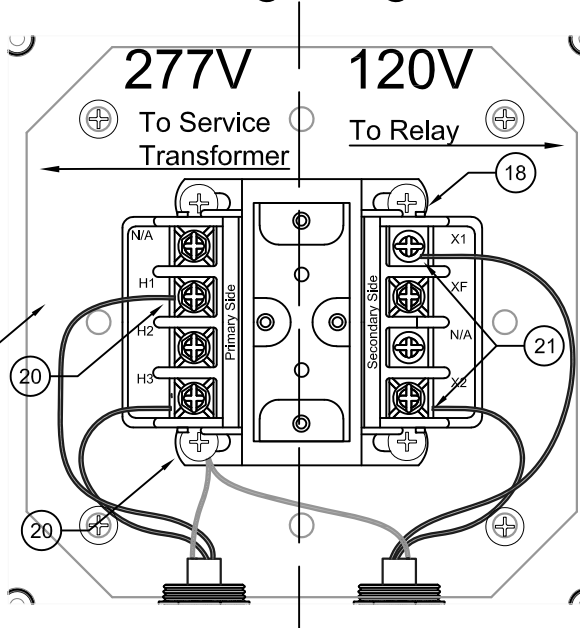
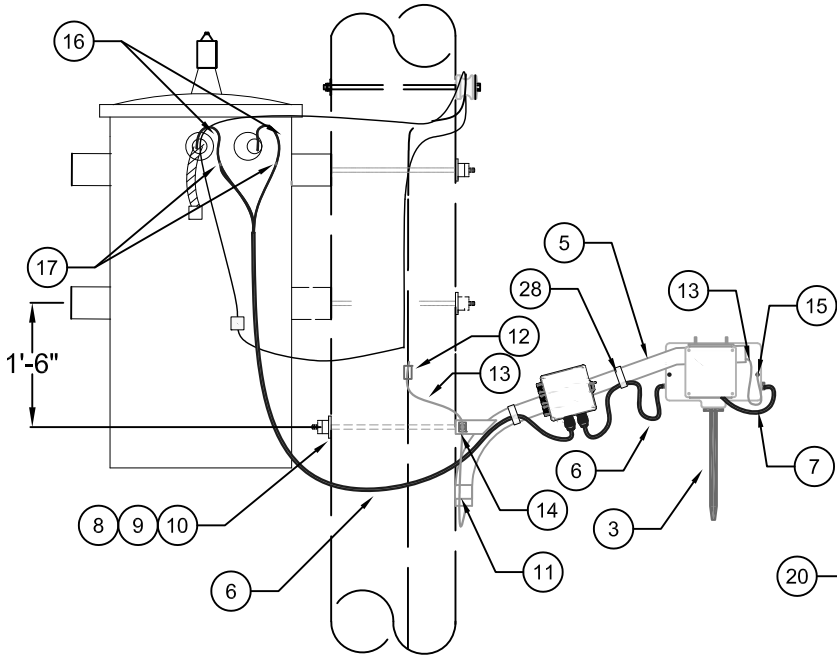


Control Transformer Enclosure Mounting



Wiring Diagram



Wiring Table

Cable	Cable Color (USA)	Cable Color (International)	Transformer Lug
Cable #1 Hot	Black	Brown	H1 X1
Cable #2 Neutral	White	Blue	H3 X2
Cable #3 Ground	Green	Green/Yellow	Grnd

ITEM	PART #	MATERIAL	QTY
1	15022	Battery Backup	1
2	15010	AMI Relay	1
3	15028	AMI Dual Band Antenna - 9MHz	1
4	15020	Horizontal Mounting Bracket	1
5	8332	Arm, Street Light - 4'	1
6	15026	Cable, Power	1
7	15024	Cable, Battery Backup	1
8	9372	Bolt, Machine 5/8" X Req'd Length	1
9	9091	Washer, Square, 2" X 2"	1
10	9096	Locknut, 5/8"	1
11	9110	Bolt, Lag 1/2" X 4"	2
12	9027	Crimpet, #6 Cu	1
13	3011	Wire, #6 Jacketed Strd	8'
14	9022	Clamp, Bonding 3/8"	1

ITEM	PART #	MATERIAL	QTY
15	9349	Lug, Ground	1
16	3110	Wire, #2 Jacketed Strd	4'
17	9495	Clamp, Burndy YPC26R8U	2
18	15030	Control Transformer, 50VA, 277:120V	1
19	15032	Control Transformer Enclosure	1
20	15034	Enclosure Back Plane	1
21	15038	Ring Terminal	6
22	15036	Cable Gland, 1/2" NPT With Locknut	2
23	9160-2	Strap, 2" Pipe	2
24	9846	Screw, Self Tapping	2
25		Screw, #10 x 1/2" Machine	8
26		Nut, #10	8
27		Washer, #10 Star	8
28		Zip Ties - 12', as required	---

- Notes:
1. Orient Item 4 to maximize communication between Access Point and Relay
 2. See VG1.4R or spacing between transformer bracket and system neutral.

AMI Relay w/ 50VA 277:120V Control Transformer for 277V Services