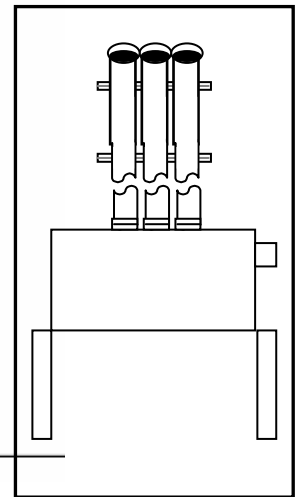
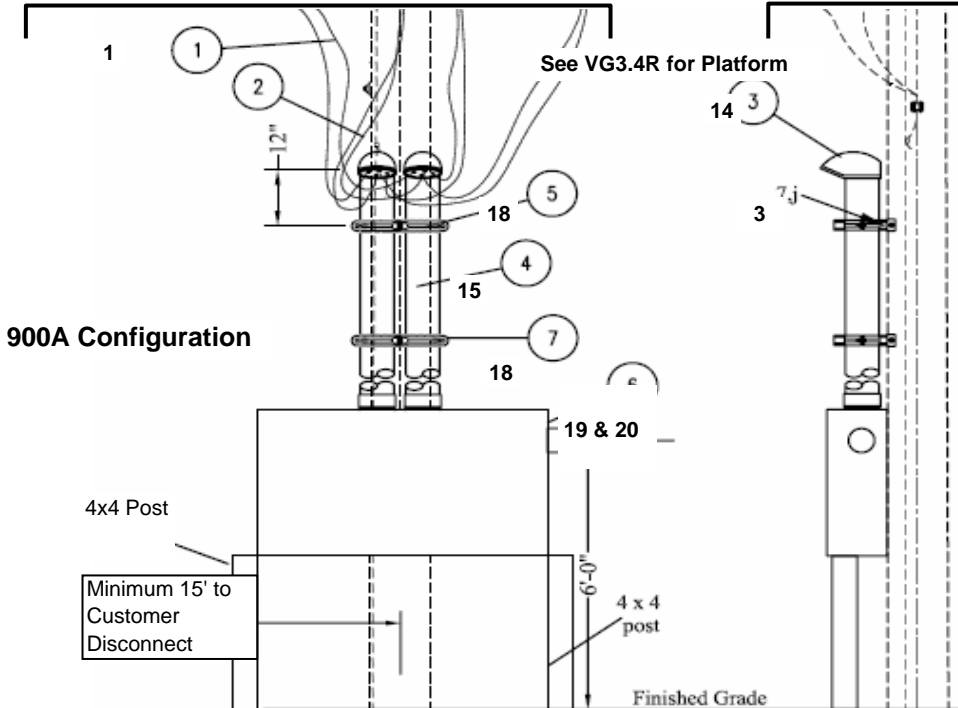


1. All clearances and protective devices to be in conformance to the most stringent requirements of either the NESC, NEC or other codes of governmental or regulating authorities as applicable.
2. If length of conduit exceeds 10 feet, coupling is permitted on end adjacent to meter.
3. Construct pole as required.
4. Conduit length 10' for 40' pole, add 5' for 45' pole, or as needed for additional pole length. Add 1 clamp w/unistrut & lag bolt for each additional 5'.



1300A Configuration

MATERIALS LISTING

ITEM	DESCRIPTION	QTY 900A	QTY 1200A	UNIT	PREC #
1	500 MCM THHN Cu (430A) PH&N 3 run / PH		300	Ft.	
1a	750 MCM THHN Cu (535A) PH&N 2 runs / PH	200		Ft.	
2	1/2" Machine Bolt	2	2	Ea.	1070
3	5/8" x 12" Machine Bolt	2	2	Ea.	1081
4	5/8" x 16" Machine Bolts	2	2	Ea.	1083
5	Transformer Trainer Brackets	1	4	Ea.	9052
6	3" - 11/16" Curved Washer	4	4	Ea.	9092
7	5/8" Locknut	2	2	Ea.	9096
8	1/2" x 4" Lag Bolt	2	4	Ea.	9110
9	Post Style PTT-350	4	4	Ea.	9198
10	750 2-Hole Lug (900A) or (500 2-Hole Lug (1200A))	20	28	Ea.	9235 (9211)
11	1/2" Spring Nut	4	4	Ea.	9294
12	1/2" x 1" SS Bolt	4	4	Ea.	9856
13	Meter Hub	2	2	Ea.	8117-4
14	4" Weather head	2	3	Ea.	8220-4
15	4" PVC Schedule 80	20	30	Ft.	8245-4
16	4" PVC Terminal Adapter	2	3	Ea.	9801-4
17	4" Pipe Strap	4	6	Ea.	9155
18	Helicopter Bracket	2	2	Ea.	9298-8
19	13T 1500A Instrument Rated Meter CT Enclosure	1	1	Ea.	
20	Form 9S/8S Class 20 277 or 120-480V 4-Wire 3Ø Meter	1	1	Ea.	

Design Parameters:
 > See design notes 1 through 4 above.
 > *Loop length per staking sheet.

277/480V 900A & 1200A - 250 & 333kVA Transformers
Dual 4-Wire Down Loop on Platform, Instrument Rated Service

06/26/08		Q3.4-09PIR* Q3.4-12PIR*
Rev. 0		