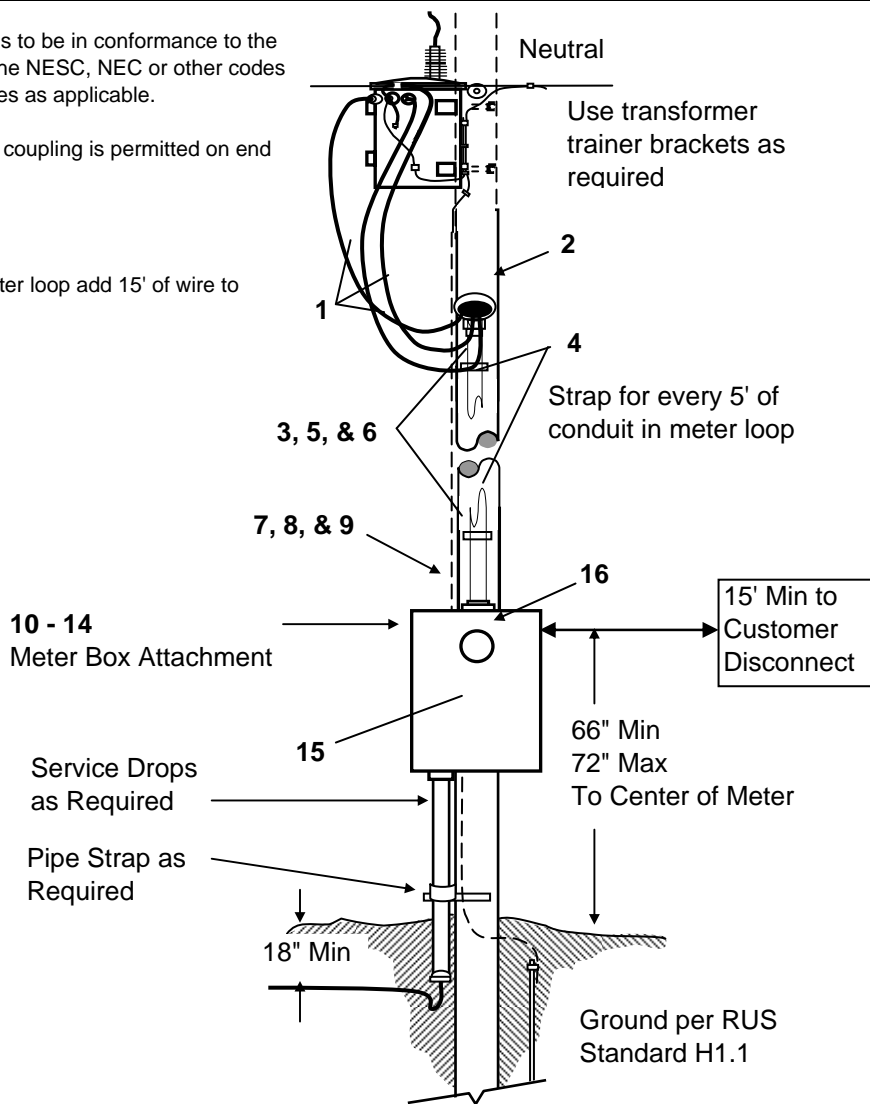


1. All clearances and protective devices to be in conformance to the most stringent requirements of either the NESC, NEC or other codes of governmental or regulating authorities as applicable.
2. If length of conduit exceeds 10 feet, coupling is permitted on end adjacent to meter.
3. Guy pole as required.
4. For every 5' additional length on meter loop add 15' of wire to installation.



MATERIALS LISTING

ITEM	DESCRIPTION	QTY 15' DL	QTY 20' DL	UNIT	PREC #
1	500 MCM THHN (430A Rating) Phase & Neutral**	63	78	Ft.	3145
2	4" Weatherhead	1	1	Ea.	8220-4
3	12" Stand-Off	3	4	Ea.	9290
4	4" Sch 80 PVC	15	20	Ft.	8245-4
5	4" Straps	3	4	Ea.	9155
6	1/2"x4" Lag Bolts	6	8	Ea.	9110
7	4" Terminal Adapter	1	1	Ea.	9801-4
8	4" Fitting Locknut	2	2	Ea.	9804-4
9	4" PVC Female Adapter	1	1	Ea.	9802-4
10	3/8" Spring Nuts	4	4	Ea.	9295
11	1" x 3/8" SS Bolt	4	4	Ea.	9857
12	1" x 1 5/8" Unistrut	44	44	Inch	9296
13	2 x 2 Square Washer	4	4	Ea.	9091
14	5/8" x 16" Machine Bolts	2	2	Ea.	1083
15	6-T 400A Instrument Rated Meter Box	1	1	Ea.	9187
16	Form 4S Class 20 240V*** 3-Wire 1Ø Meter	1	1	Ea.	

Design Parameters:

- > See design notes 1 through 4 above.
- > * Loop length added as required.
- > ** 350 MCM for loads at 80% of FL.
- > *** Also 120-240V & 120-480V 1Ø Mtr.

**120/240V Single Phase 400A Instrument Rated Service
3-Wire Down Loop Mounted on Transformer Pole (50kVA Transformer)**

Jan-07



Q1.1-04PIR*