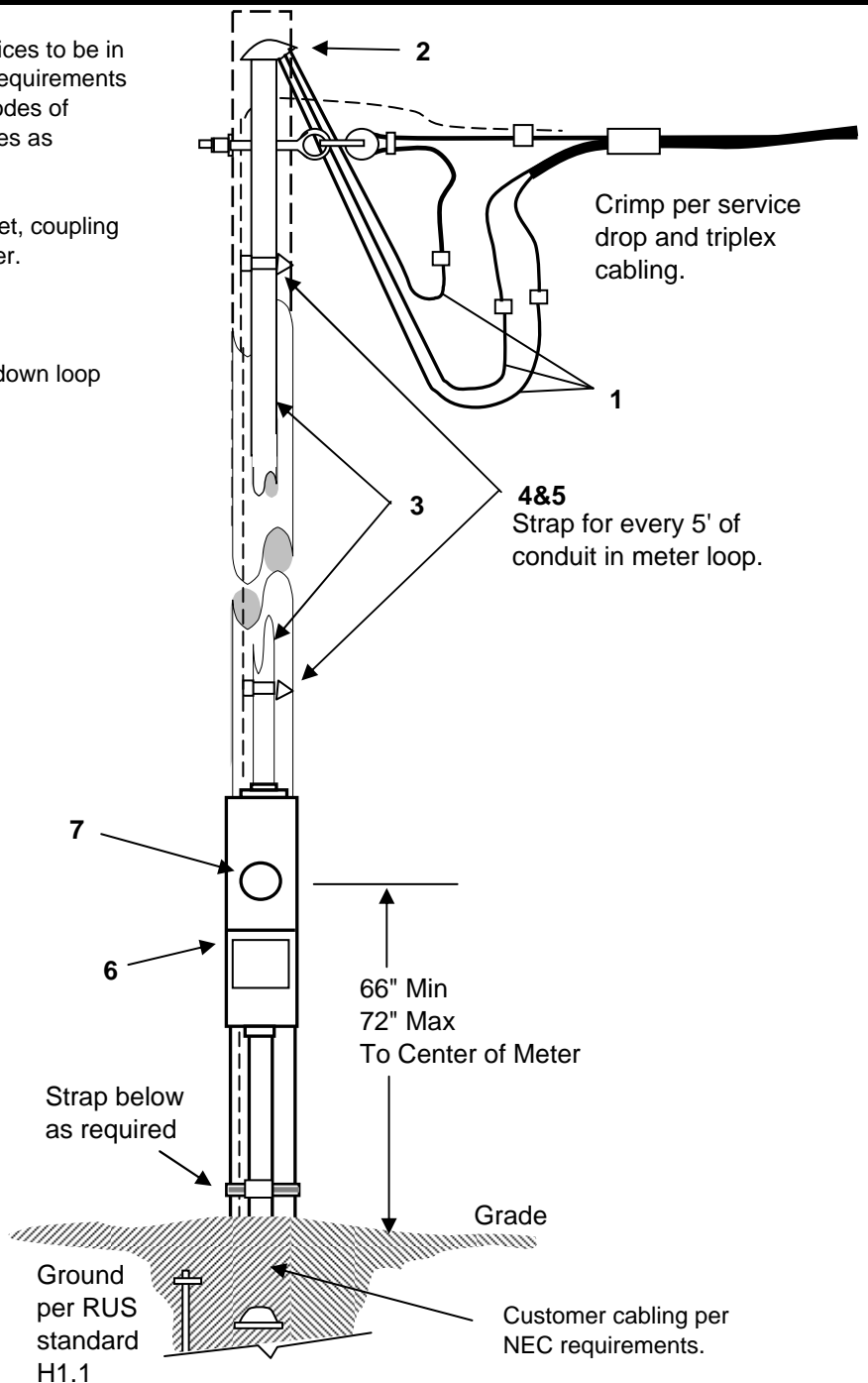


1. All clearances and protective devices to be in conformance to the most stringent requirements of either the NESC, NEC or other codes of governmental or regulating authorities as applicable.

2. If length of conduit exceeds 10 feet, coupling is permitted on end adjacent to meter.

3. Guy pole as required.

4. For every 5' additional length on down loop add 15' of wire to installation.



MATERIALS LISTING

ITEM	DESCRIPTION	QTY 15' DL	QTY 20' DL	UNIT	PREC #
1	350 THHN Copper (350A Rating) Phase & Neutral	63	78	Ft.	3145
2	2.5" Weatherhead	1	1	Ea.	8220-2.5
3	2.5" Conduit	15	20	Ft.	8040
4	2.5" Straps	3	4	Ea.	9160-2.5
5	5/16"x 2 1/2" Lag Bolt	8	10	Ea.	9109
7	4-T 400A-Class 320A OH Mtr Box w/dual 200A Bkr	1	1	Ea.	9187
8	Form 2S Class 320A 240V 3-Wire 1Ø Meter	1	1	Ea.	

Design Parameters:
 > See notes 1 through 4 above.
 > * Add required loop length.
 > Meter loop assemblies are available in lengths of up to 35' in 5' increments.

**120/240V 400A (Class 320A) Self Contained Service
 3-Wire Down Loop Mounted on Meter Pole (37.5kVA Transformer)**

Apr-07 rev0		Q1.1-03SC*
----------------	--	-------------------